

EUTERM AVL 600

Length	2000	4000	6000	[mm]
Width	600	600	600	[mm]
Number of tubes	4	4	4	No.
Tubes diameter	22.0	22.0	22.0	[mm]
Thermal output with Δt 40 °C		212		[W/m]
Thermal output with Δt 60 °C		345		[W/m]
Thermal output with Δt 80 °C		486		[W/m]
Weight without water	16.6	33.2	49.8	[kg]
Water content	2.4	4.8	7.2	[kg]

EUTERM AVL 600 HEADERS

Header length	600	[mm]
Number of tubes	4	No.
Inlet/outlet connection	1" M	
Air vent/water discharge	3/8" F	

STANDARD HEADER

Number of inlet/outlet tube connections	1	No.
Number of connections for venting emptying	2	No.
Weight without water	2.1	[kg]
Water content	1.3	[kg]

BLIND HEADER

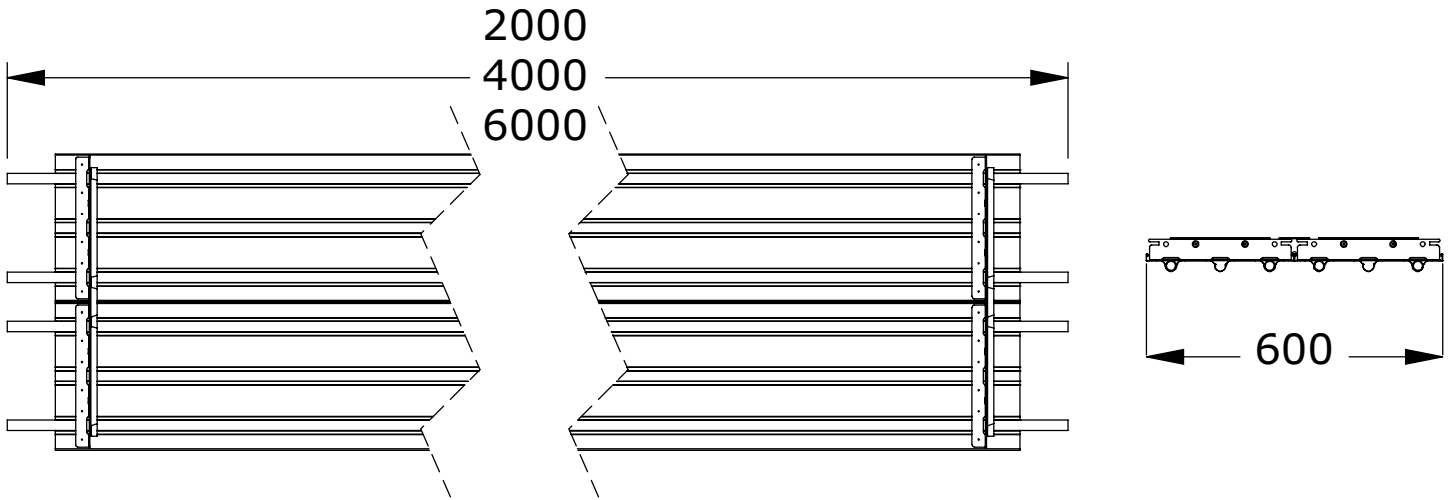
Number of inlet/outlet tube connections	-	No.
Number of connections for venting emptying	2	No.
Weight without water	1.9	[kg]
Water content	1.3	[kg]

DIAPHRAGMED HEADER

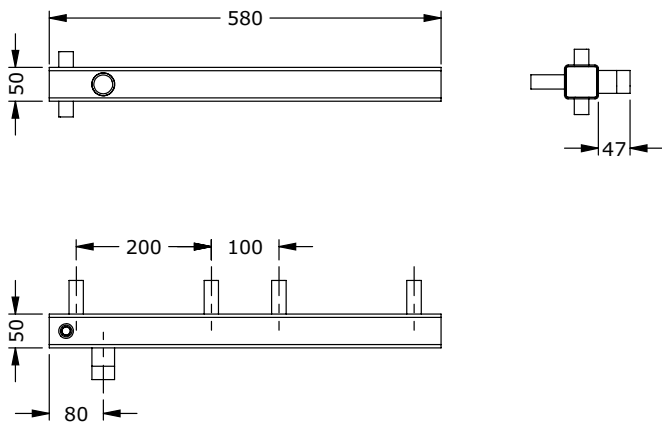
Number of inlet/outlet tube connections	2	No.
Number of connections for venting emptying	4	No.
Weight without water	2.5	[kg]
Water content	1.4	[kg]



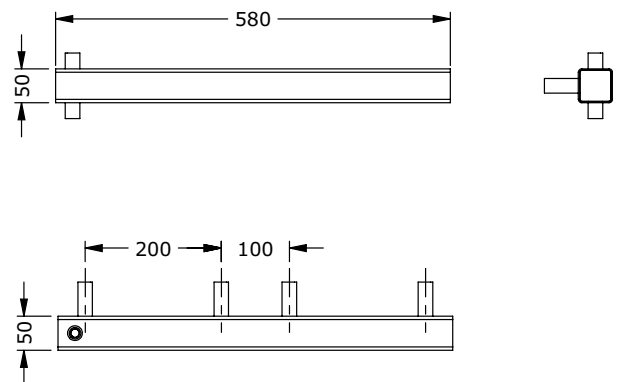
DIMENSIONS



Standard header



Blind header



Diaphragmed header

