

EUTERM AVH 300

Length	2000	4000	6000	[mm]
Width	300	300	300	[mm]
Number of tubes	3	3	3	No.
Tubes diameter	22.0	22.0	22.0	[mm]
Thermal output with Δt 40 °C		138		[W/m]
Thermal output with Δt 60 °C		222		[W/m]
Thermal output with Δt 80 °C		313		[W/m]
Weight without water	10.80	21.60	32.40	[kg]
Water content	1.80	3.60	5.40	[kg]

EUTERM AVH 300 HEADERS

Header length	300	[mm]
Number of tubes	3	No.
Inlet/outlet connection	1" M	

STANDARD HEADER

Number of inlet/outlet tube connections	1	No.
Number of connections for venting emptying	2	No.
Weight without water	1,3	[kg]
Water content	0.7	[kg]

BLIND HEADER

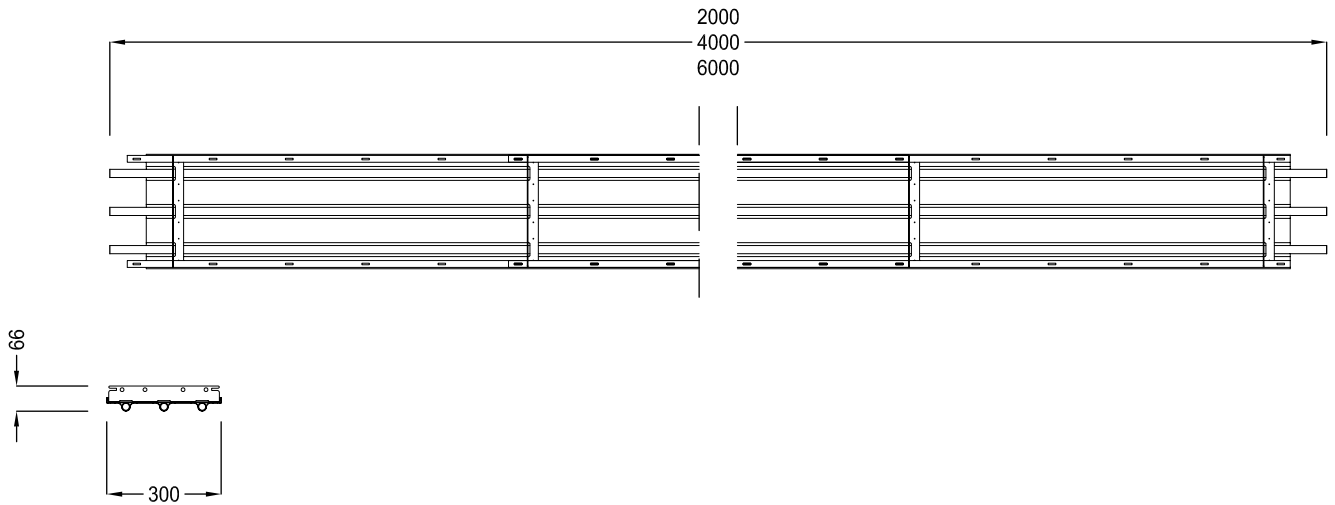
Number of inlet/outlet tube connections	-	No.
Number of connections for venting emptying	2	No.
Weight without water	1,1	[kg]
Water content	0.6	[kg]

DIAPHRAGMED HEADER

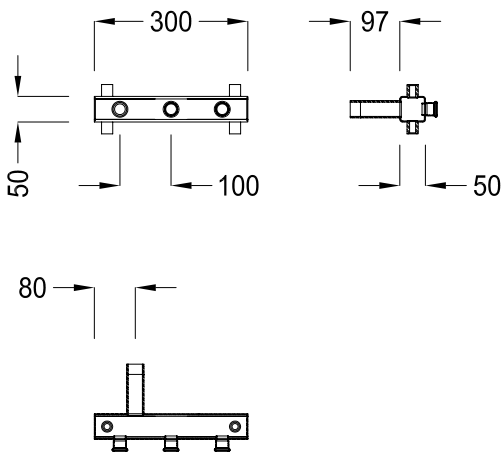
Number of inlet/outlet tube connections	2	No.
Number of connections for venting emptying	4	No.
Weight without water	1.6	[kg]
Water content	0.8	[kg]



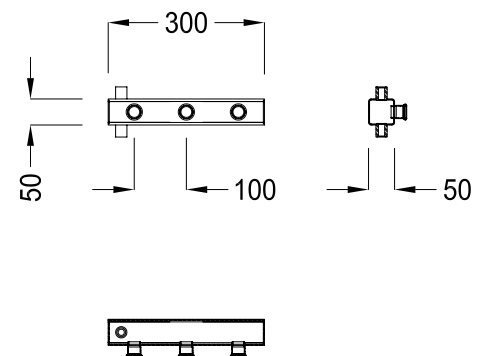
DIMENSIONS



Standard header



Blind header



Diaphragmed header

