

EUCOLD 530 SERIES

EVAPORATIVE COOLER

TECHNICAL DATA	MOD. 531	MOD. 532
Maximum air flow [m ³ /h]	11000	22000
Static head [Pa]	180	180
Static head at 80% of the flow rate [Pa]	100	100
Power supply	220÷240 V – 50 Hz - 1Ph	
Electric installed power [W]	530	970
Input current [A]	2.45	4.40
Max. Sound pressure level @5m [dB(A)]	55	
Fan step [n]	Multi-step	
Fan type and number	Axial - 1	Axial - 2
Tank level sensors: type - quantity	Magnetic, with horizontal mounting – 2 (min-max)	
Water abstraction point for cleaning [mm]	Internal – DN20 with hose adapter	

COOLING CAPACITY OF THE SYSTEM	531 F	531 S/B	532 F	532 S/B
Cooling capacity [kW] @ Maximum air flow Australian Standards conditionS (AS 2913-2000): @ Inlet DBT=38°C, WBT=21°C – RH=20,5%	45,1	51,4	86,6	102,8
Cooling capacity [kW] @ Maximum airflow Climatic conditions "EU STD": @ Inlet DBT=35°C, WBT=26°C – RH=50,0%	23,1	26,3	44,4	52,6
Maximum water consumption [l/h]: @ Australian Standards conditions – Maximum air flow 80%	52	59	99	119
Maximum water consumption [l/h]: @ Climatic conditions "EU STD" – Maximum air flow 80%	24	28	46	56

PUMP

Motor / Type	Synchronous / Centrifugal
Maximum flow rate [l/min]	80
Input power [W]	80

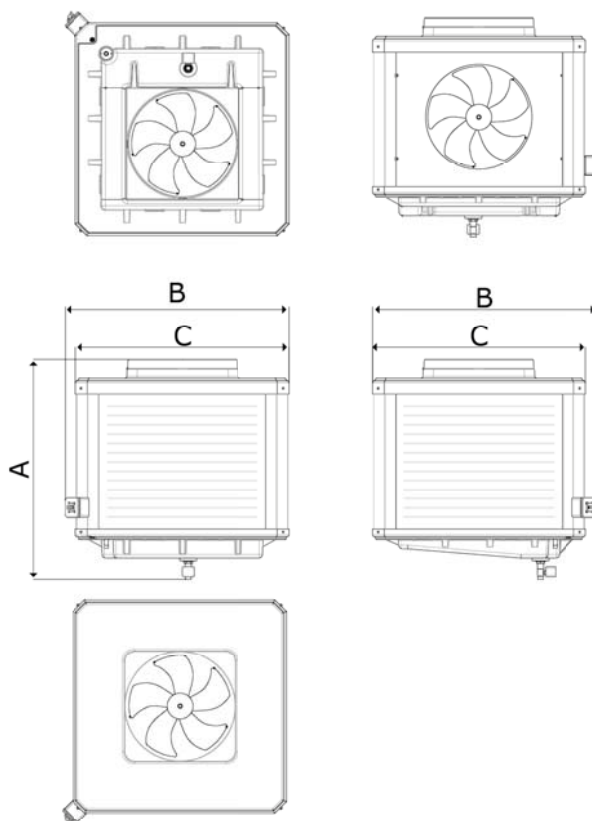
EVAPORATING PANELS

Area [m ²]	2.9 – EUCOLD 531 S/B 2.2 – EUCOLD 531 F	3.4 – EUCOLD 532 S/B 2.4 – EUCOLD 532 F
Thickness [mm]	100	
Saturation efficiency	89%	

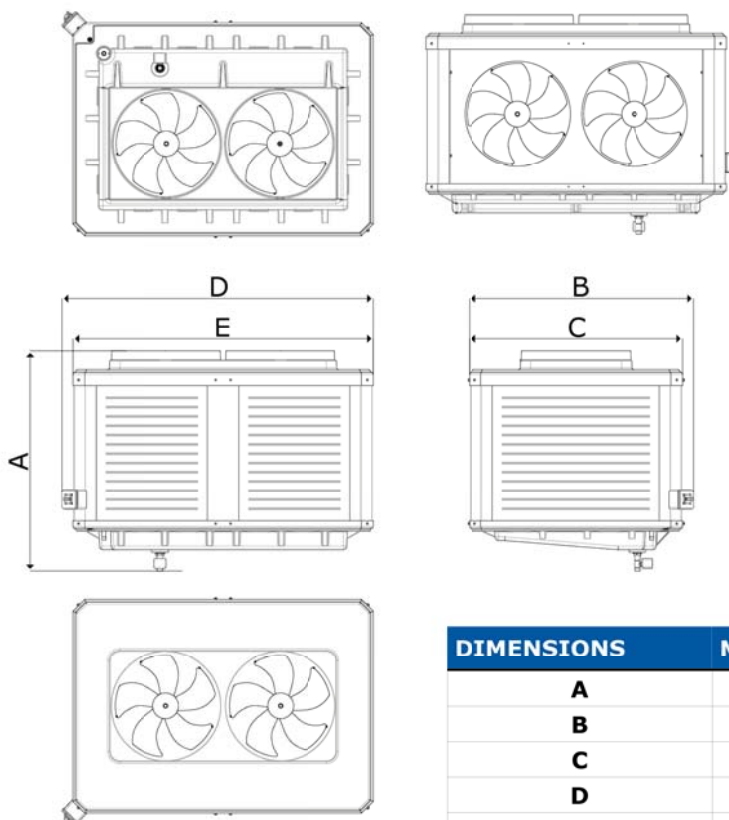
DIMENSIONS

Overall dimensions [mm]	1150 x 1150 x H 1100	1620 x 1150 x H 1100
Tank capacity [l]	20	25
Mass (empty-full) [kg]	55 ÷ 75	80 ÷ 105
Water inlet - drain [mm]	DN15 – DN 32	
Air delivery [mm]	600 x 600	600 x 1230
Air delivery – std duct [mm]	Ø 600	Ø 750
Treated air outlet	Top → Model S Bottom → Model B Side → Model F	

MODEL 531

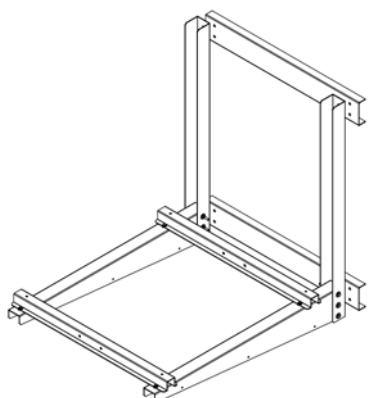


MODEL 532

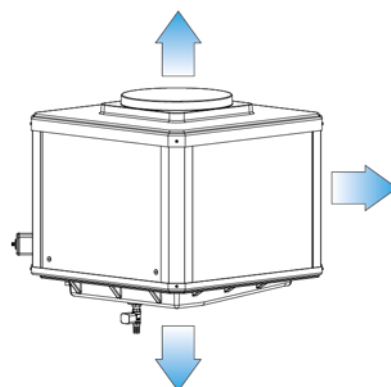


DIMENSIONS	MOD. 531	MOD. 532
A	1190	1190
B	1200	1200
C	1150	1150
D	1200	1680
E	1150	1625

AIR DUCTS AND LAYOUT EXAMPLES



EXAMPLE OF FRAME



AIR OUTLETS

BOTTOM AIR OUTLET

